

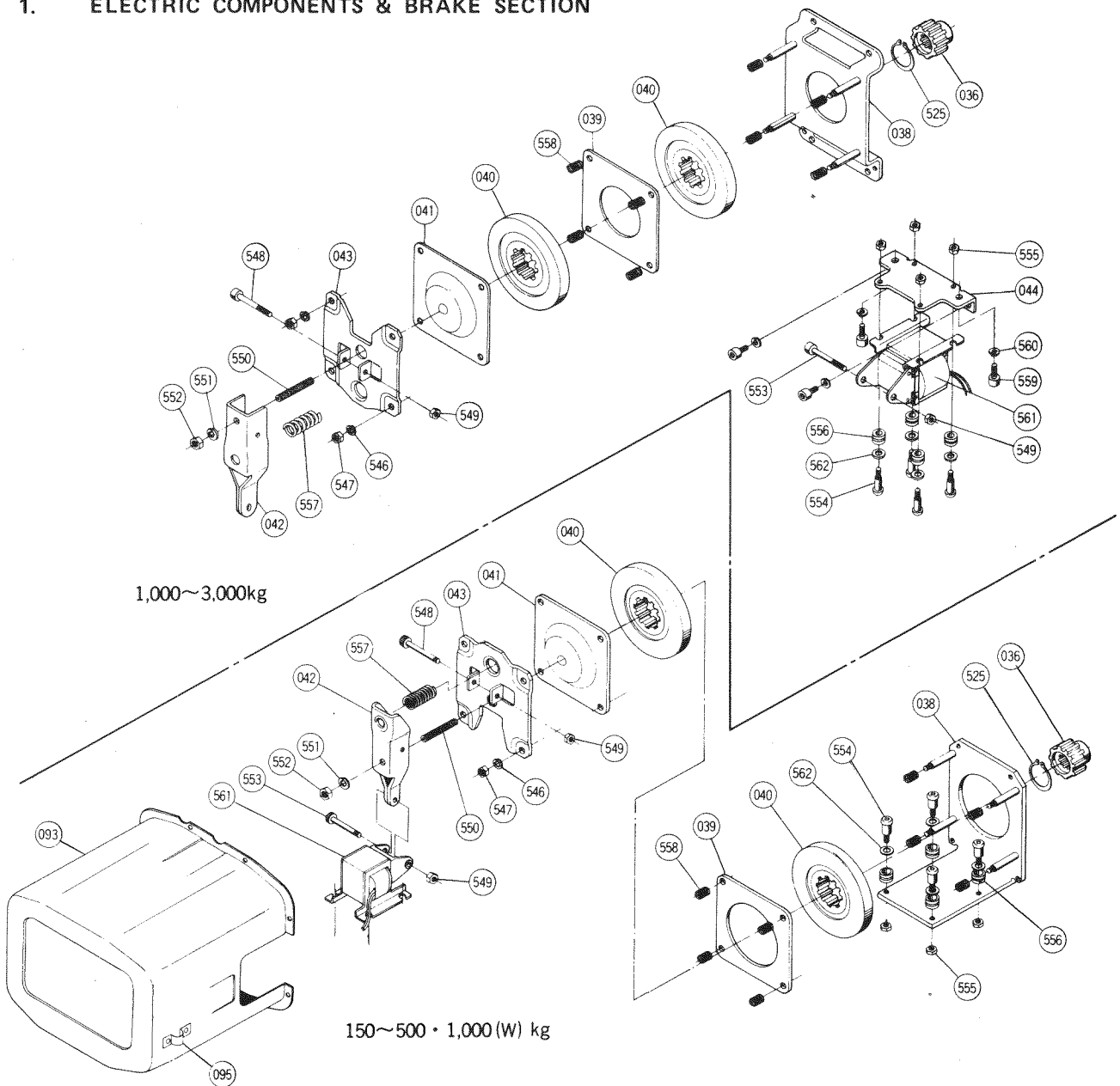
SECTION 4. PARTS OUTLINE DRAWINGS

The parts marked ※ are ECT-3M Two-speed hoist and these marked ※※ are ECC-3 Single-phase hoist while all other parts are common.

When ordering Spare Parts, be sure to specify the following information:

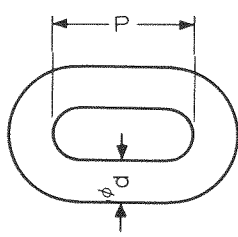
1. Serial number and model
2. Capacity and part number
3. Quantity required

1. ELECTRIC COMPONENTS & BRAKE SECTION

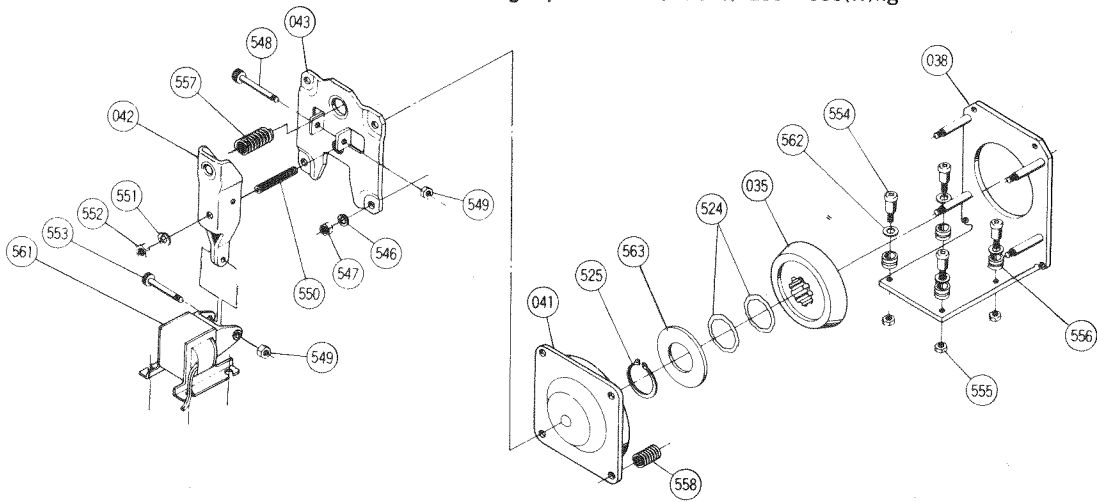


LOAD CHAIN INSPECTION POINTS

Table 7

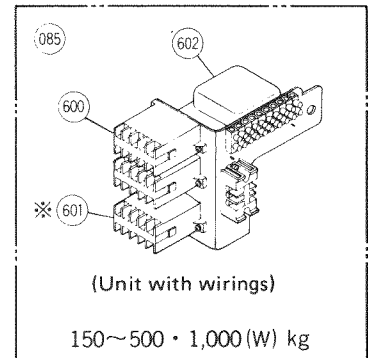
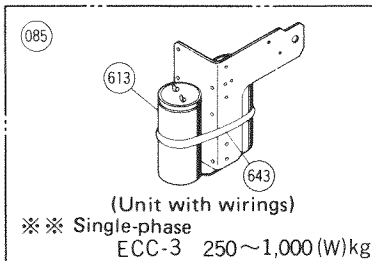
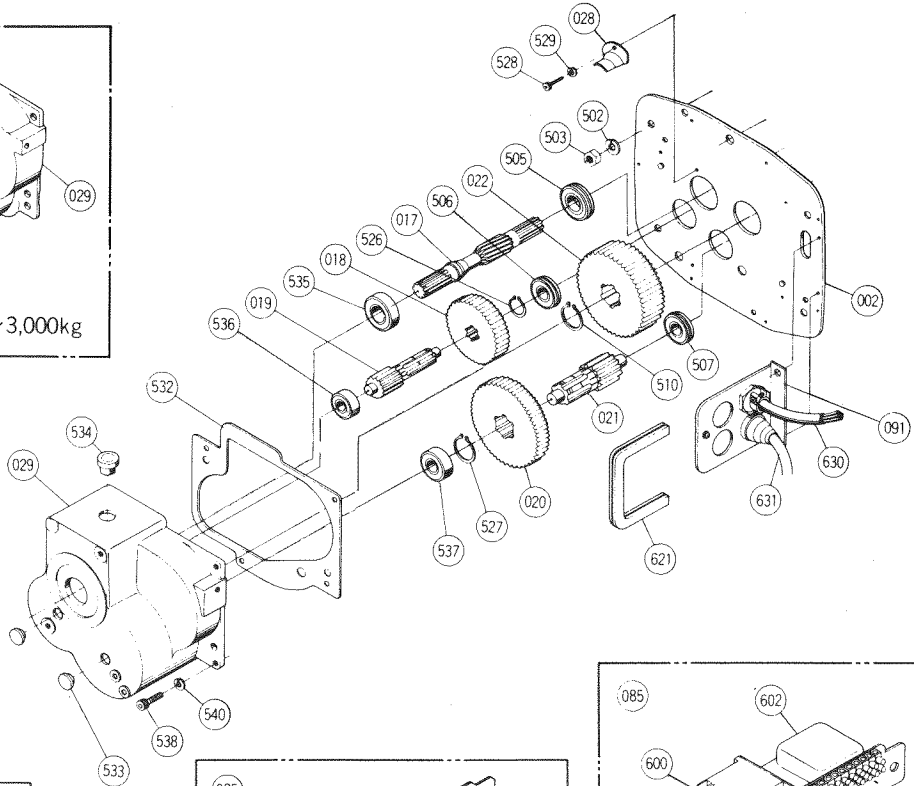
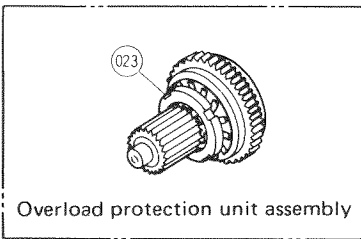
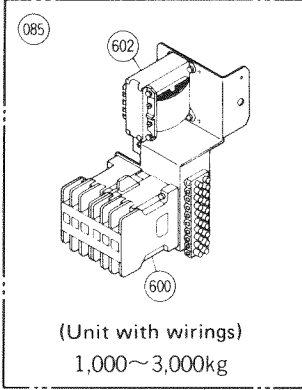
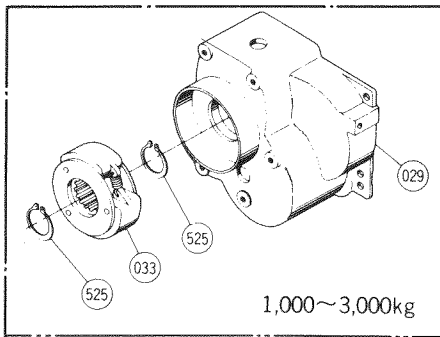
	Model	Capacity (kg)	Chain dia. ϕd (mm)	Standard dimension P - mm	Permissible limit 10 links(mm)
	EC-3M	150~500	6.3	19.1	195
ECT-3M	1,000 (W)				
ECC-3	1,000 3,000	7.1	21.2	216	

Single-phase ※※(ECC-3) 250・500(W)kg



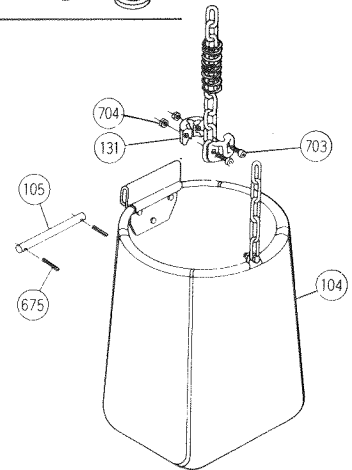
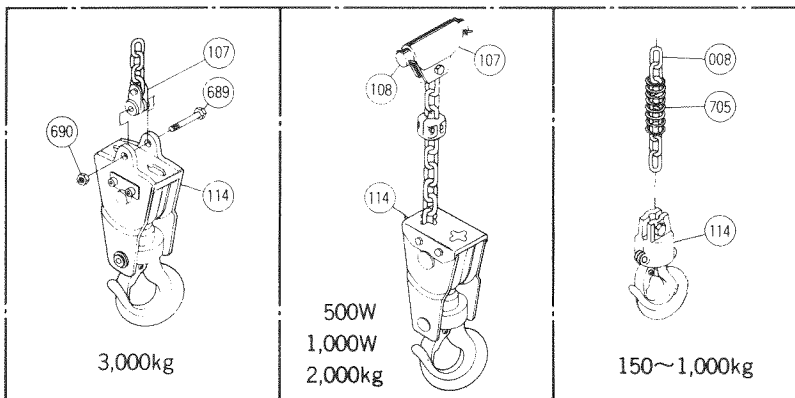
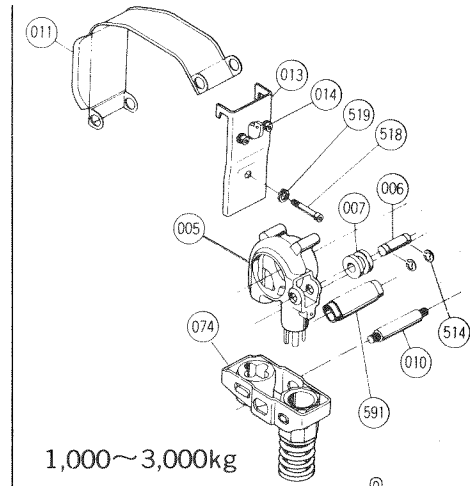
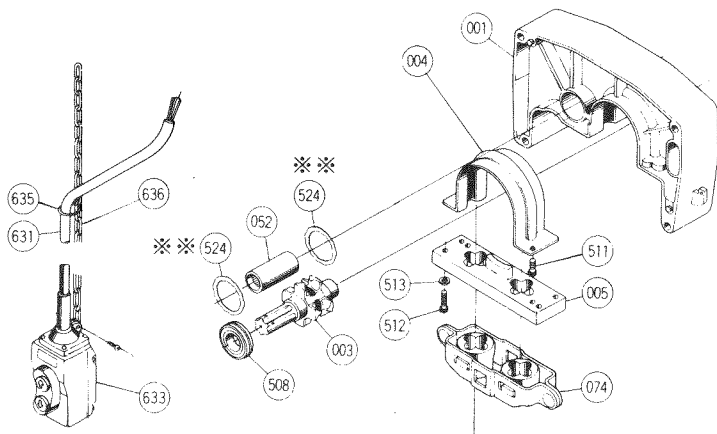
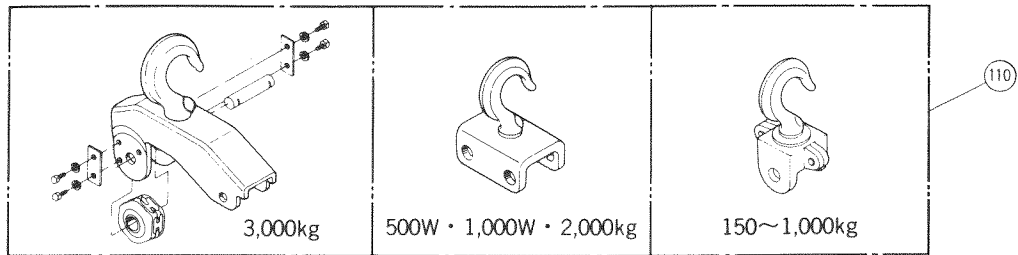
1. BRAKE SECTION

P/No.	Part Name	Nos. used	P/No.	Part Name	Nos. used
035	Brake wheel	1	549	Hex. lock nut	2
036	Brake bush	1	550	Brake adjusting bolt	1
038	Brake base	1 set	551	Spring washer	1
039	Brake fixing plate 500 - 3000 kg	1	552	Hex. nut (Type 3)	1
040	Brake rotating plate 150 - 500 kg (W)	1	553	Lever bolt	1
040	Brake rotating plate 500 - 3000 kg	2	554	Solenoid mounting screw	4
041	Brake forcing plate	1	555	Hex. nut	4
042	Brake lever	1	556	Solenoid bush	4
043	Lever base plate	1	557	Brake spring	1
044	Solenoid base plate	1	558	Brake base spring	
093	Cover-A	1		150 - 500 kg (W) - Single-phase	4
095	Hanging plate for 636	1		500 - 3000 kg	8
524	Wave washer	2	559	Hex. socket head bolt	4
525	Snap ring	1	560	Spring washer	4
546	Spring washer	4	561	AC Solenoid	1
547	Hex. nut	4	562	Washer	4
548	Hex. socket head bolt	1	563	Washer	1



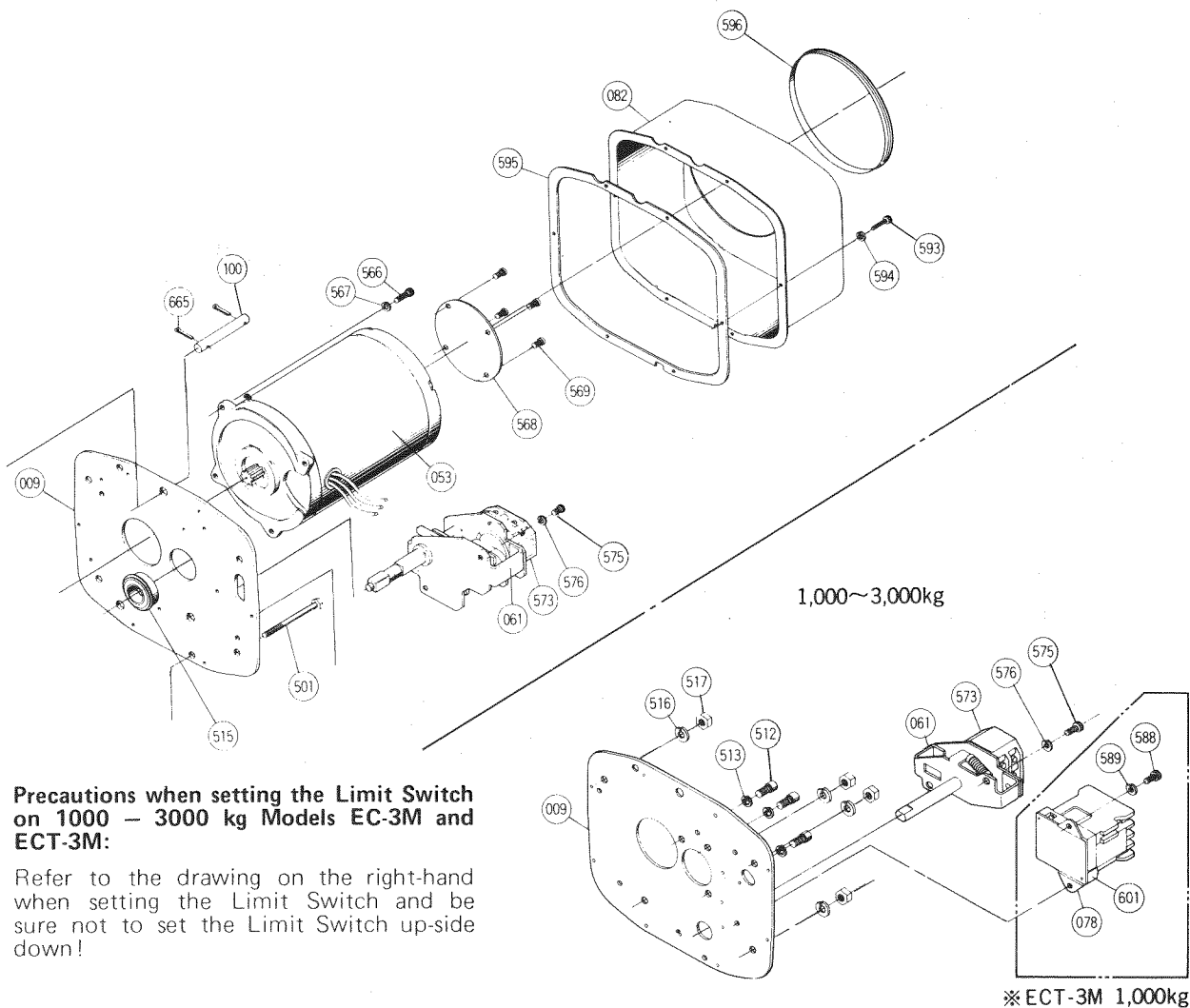
2. ELECTRIC COMPONENT & GEAR SECTION

P/No.	Part Name	Nos. used	P/No.	Part Name	Nos. used
002	Gear-side plate	1	528	Hex. socket head bolt	1
017	Pinion shaft	1	529	Spring washer	1
018	Pinion gear	1	532	Gear case gasket	1
019	Second pinion	1	533	Grease cap	2
020	Second pinion gear	1	534	Oil cap	1
021	Third pinion	1	535	Ball bearing	1
022	Load gear	1	536	Ball bearing	1
023	Overload protection unit assembly	1 set	537	Ball bearing	1
028	Grease bracket	1	538	Hex. socket head bolt	4
029	Gear case	1		150 - 500 kg, 1000 kg (W)	
033	Speed govern unit	1		1000 - 3000 kg	
085	Electric component unit	1 set	540	Spring washer	4
091	Cable connecting plate	1	600	Electromagnetic contactor	2
502	Spring washer	4		150 - 500 kg, 1000 kg (W)	
503	Hex. nut	4		1000 - 3000 kg	
505	Ball bearing	1	601	Electromagnetic contactor	1
506	Ball bearing	1	602	Transformer	1
507	Ball bearing	1	613	Condenser	2
510	Snap ring	1	621	Cable connecting plate seal	1
527	Snap ring	150 kg	630	Power source cable	1
		250 - 3000 kg			



3. LOAD CHAIN DRIVING SECTION with TOP & BOTTOM HOOKS

P/No.	Part Name	Nos. used	P/No.	Part Name	Nos. used	
001	Center frame	1	508	Ball bearing	1	
003	Load sheave	1	511	Hex. socket head bolt	2	
004	Load chain guide (A)	1	512	Hex. socket head bolt	4	
005	Load chain guide (B)	1		150 - 500 kg, 1000 kg (W)	3	
006	Chain guide pin	1		1000 - 3000 kg	3	
007	Chain guide roller	1	513	Spring washer	4	
008	Load chain	1		150 - 500 kg, 1000 kg (W)	3	
010	Stay bolt	4		1000 - 3000 kg	3	
011	Body cover (A)	1	514	E-ring	2	
013	Body cover (B)	1	518	Hex. socket head bolt	1	
014	Chain bucket hanging plate	1	519	Spring washer	1	
052	Coupling	1	524	Wave washer	2	
074	Handle	1	591	Wiring brush	1	
104	Chain bucket	1	631	Pendant control cable	1	
105	Chain bucket pin	1	633	Push button switch	1	
107	Chain stop plate	1	635	Rings	1	
	500 kg (W)		1000 kg	636	Control cable supporting chain	1
	2000 kg		3000 kg	675	Split pin	2
108	Chain stop pin	1	689	Hex. head bolt	1	
110	Top hook assembly	1 set	690	Hex. lock nut	1	
114	Bottom hook assembly	1 set	703	Hex. socket head bolt	2	
131	Stop holder	single-fall	704	Hex. lock nut	2	
		two-falls	705	Spring for bottom hook	2	



Precautions when setting the Limit Switch on 1000 – 3000 kg Models EC-3M and ECT-3M:

Refer to the drawing on the right-hand when setting the Limit Switch and be sure not to set the Limit Switch up-side down!

4. MOTOR & LIMIT SWITCH SECTION

P/No.	Part Name	Nos. used	P/No.	Part Name	Nos. used
009	Motor-side plate	1	573	Limit switch	1
053	Motor assembly	1 set	575	Hex. socket head bolt	2
061	Limit switch unit	1 set	576	Spring washer	2
078	Electromagnetic contactor base	1	588	Hex. socket head bolt	2
082	Cover (B)	1	589	Spring washer	2
100	Top hook pin	1	593	Hex. socket head bolt	6
501	Hex. head bolt	4		150 - 500 kg, 1000 kg (W)	
512	Hex. socket head bolt	3		1000 - 3000 kg	8
513	Spring washer	3	594	Spring washer	6
515	Ball bearing	1		150 - 500 kg, 1000 kg (W)	
516	Spring washer	8		1000 - 3000 kg	8
517	Hex. nut	8	595	Cover gasket	2
566	Hex. socket head bolt	4	596	Motor rubber seal	1
567	Spring washer	4	601	Electromagnetic contactor	1
568	Specifications plate	1	665	Split pin	2
569	Cross recessed head tapping screw.	4			